

BULL 6305e

FANLESS IPC

- Intel® Celeron **6305e**
2 Core / 2 Thread 1.80 GHz, 15W [Tiger Lake]
- 2x DDR4 3200 MHz up to **64GB RAM**
- Power supply range from **12V to 24V, DC**
- 2x LAN Intel® Gigabit Ethernet
(1x **2.5GbE** + 1x **1GbE**)
- 4x **4K HDR** Video interface (HDMI+DP)
or 1x **8K SDR** Display (DP)



MAINBOARD

CPU:	Intel® Celeron 6305e 2 Core / 2 Thread 1.80 GHz, 15W
TPM:	TPM 2.0 / Intel fTPM 2.0 (PTT)

MEMORY

Capacity:	up to 64GB
Frequency:	3200 MHz
Type:	2x SO-DIMM DDR4

STORAGE

SATA:	1x SATA3
M.2:	1x M.2 M-Key (2242/2280) NVMe PCIe 4.0 x4
Storage Bay:	1x Internal 2.5" SSD Bay (optional)

I/O INTERFACE

Serial ports:	2x COM RS232/422/485 2x COM RS232
USB ports:	4x USB 3.2, 2x USB 2.0,
M.2:	1x M.2 E-Key (2230) USB2.0/PCIe x1 for WIFI/BT - Support CNVi
AUDIO:	1x Headphone Jack, 1x MIC Jack 1x Line-out Combo Jack

VIDEO

GPU:	Intel® UHD 620 Graphics
Interface:	2x HDMI 2.0b (Up to 4096x2160 @60Hz) 2x DP 1.4 (Up to 4096x2304 @60Hz)

ETHERNET

LAN:	1x Intel i225-LM 2.5GbE Gigabit LAN 1x Intel i219-LM PHY Gigabit LAN
-------------	---

POWER

Power in:	12 to 24V, DC-in
Power consumption:	90W max
Adapter:	AC_90~240V / DC_12V_5A/60W

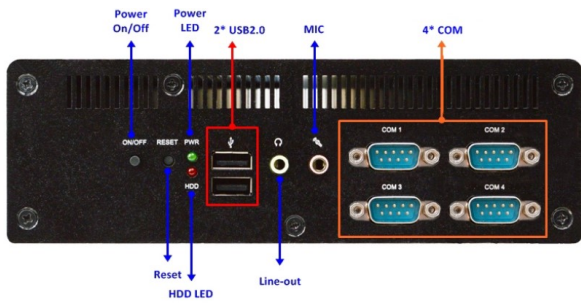
MECHANICAL

Material:	Lightweight aluminum alloy with extruded aluminum IO panel
Dimensions:	(W)193x(D)142.4x(H)62mm
Weight:	2.2Kg
Mounting:	WallMount + DIN Rail

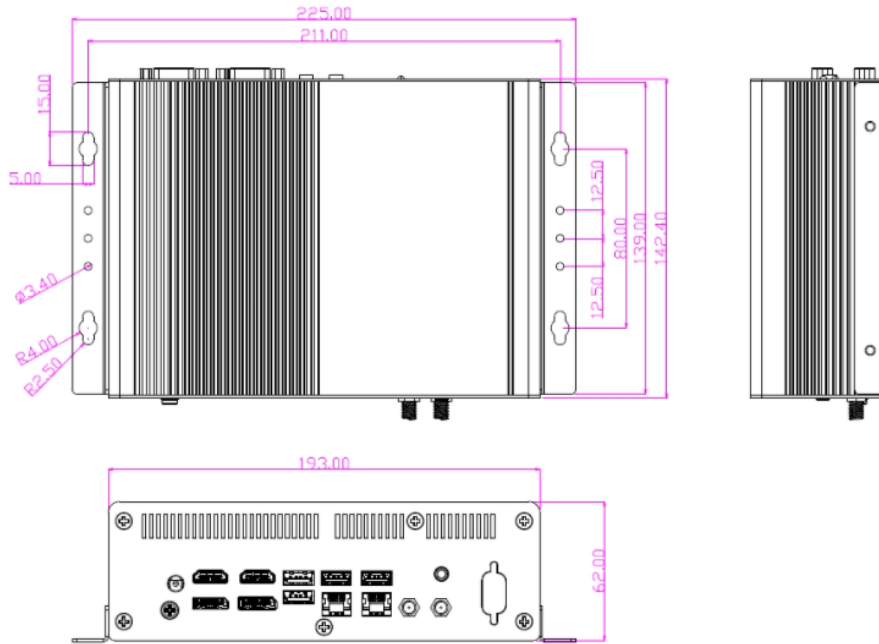
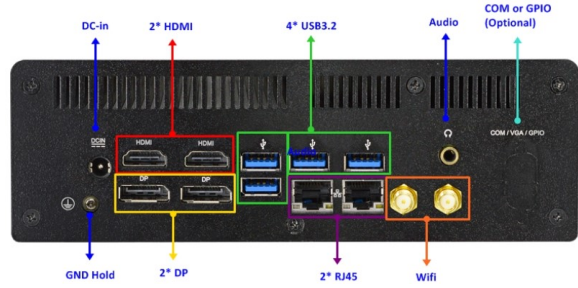
ENVIRONMENT

Operating temp.:	0°C to 50°C
Storage temp.:	-20°C to 85°C
Humidity:	40% to 60% RH @40°C, non-condensing
EMC:	CE, FCC, RoHS, LVD, ErP Ready

Front



Rear



Accessories Included:

- WALL + DIN Rail Mount Kit
- Power Adapter 12V @60W + Power Cable
- Dual Band WiFi Antenna
- Screw pack

Compatible OS:

MS WINDOWS (64bit)

- Windows 10
- **Windows 10 Enterprise LTSC (IoT)**
- Windows 11
- Windows 11 Enterprise LTSC (IoT)



LINUX *

- CentOS 8.2
- Debian 10
- Fedora 34
- Ubuntu 20.04 LTS
- pfSense 2.4.4



* Linux distributions tested with the IPC.

Order Code:

B04 - 32C - BULL - 6305e - RXX - M2DXXX

RAM	R08	(8 GB)	R32	(32 GB)	STORAGE	SSD (2,5")	M2D/SSD128
	R16	(16 GB)	R64	(64 GB)		M2D (M.2)	Other on Request

SARC ITALIA SRL

Strada Albareto, 503 - 41122 Modena - ITALY
Tel. +39 059 8751076 Fax. +39 059 8751025



Website: www.sarcitalia.it

Email: info@sarcitalia.it